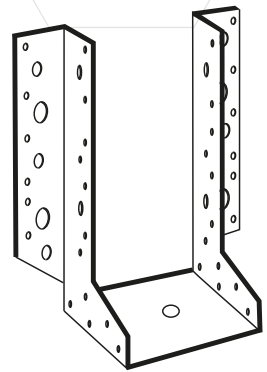


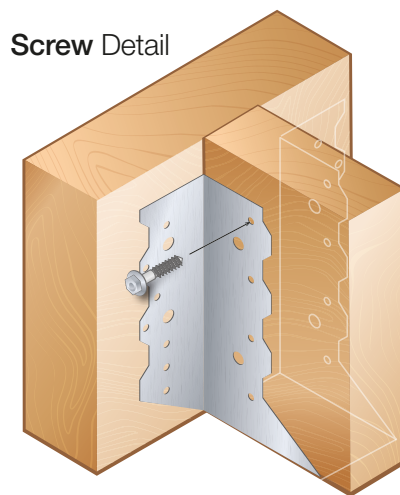
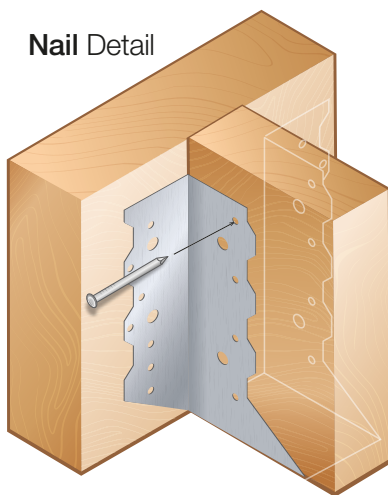
Joist Hanger Installation Guide

Designed to be used where a strong rigid joint is required between members butting together at 90 degrees, e.g. floor joist to beam, truss or rafter to beam/bearer.

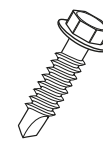


- ✓ Available in SS304 Stainless Steel and Galv (Z275 G300 Steel), Milsons Joist Hangers are suitable for a variety of environments.

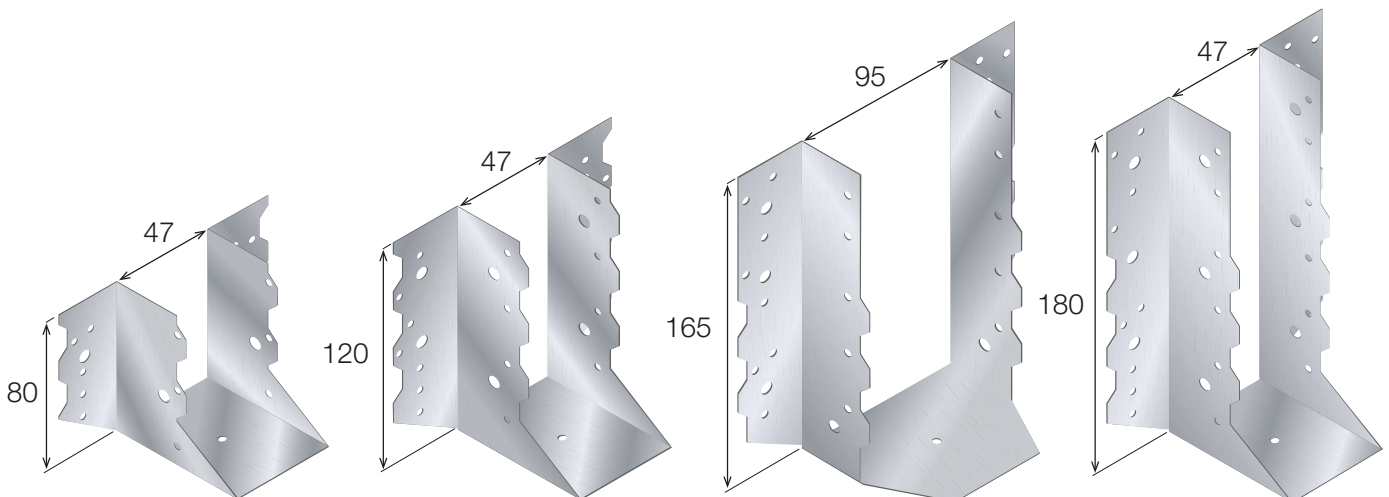
Joist Hanger Installation Layout



3.15 x 30 mm
Nails



HWF 12G x 35 mm
Screws



Joist Hangers Fixing

Install Milsons Joist Hangers with 3.15 x 30 mm Nails or HWF 12G x 35 mm Screws

Joist Hanger	Min No. of Nails per Flange	Min No. of Screws per Flange
47 x 80	3	1 (+1 Nail)
47 x 120	5	2
47 x 180	9	3
95 x 165	8	3

Note: Joist Hangers supporting roof trusses shall be fully nailed or screw fixed.

Durability

The following table provides an easy guide for selecting Milsons product with corrosion resistant finishes that will meet and exceed NZS 3604:2011 Table 4.1. **Milsons Joist Hangers are available in SS304 Stainless Steel and Galv (Z275 G300 Steel).**

Zone	Fixing Fastening	Environment		Product
All Zones	Nail Plates	Fully enclosed walls, floors and roof spaces	Closed	Zinc Coated Z275
	C-Nails and Bolts			Hot-Dipped Galvanised Steel
	All other structural fixings	Closed		Carbon Steel-Zinc Coated
Zones B and C	All subfloor fastenings more than 600 mm above the ground	Vented 7000 mm ² /m ² or LESS	Sheltered	Hot-Dipped Galvanised Steel
		Vented MORE than 7000 mm ² /m ²	Exposed	304 Stainless Steel
	All subfloor fastenings within 600 mm of the ground	Sheltered and Exposed		304 Stainless Steel
	All other structural fixings	Sheltered		Hot-Dipped Galvanised Steel
Exposed		304 Stainless Steel		
Zone D	All structural fixings	Sheltered and Exposed		304 Stainless Steel


milsons[®]

Delivering New Zealand's Leading Fastening Experience

 **20 Kaimanawa St., PO Box 672
Palmerston North, 4414**

 Call us on
0800 507 444

 Email us
info@milsons.co.nz

 Visit our website
milsons.co.nz

The data provided in this document is for general guidance only and should not be solely relied upon when working to stringent specifications. We recommend consulting with qualified experts regarding any technical queries.

Milsons[®] (2012) Limited NZBN: 9429030668829. Copyright © 2023. Version No.: 240713

The contents of this document remains the property of Milsons and may not be reproduced without prior written permission.