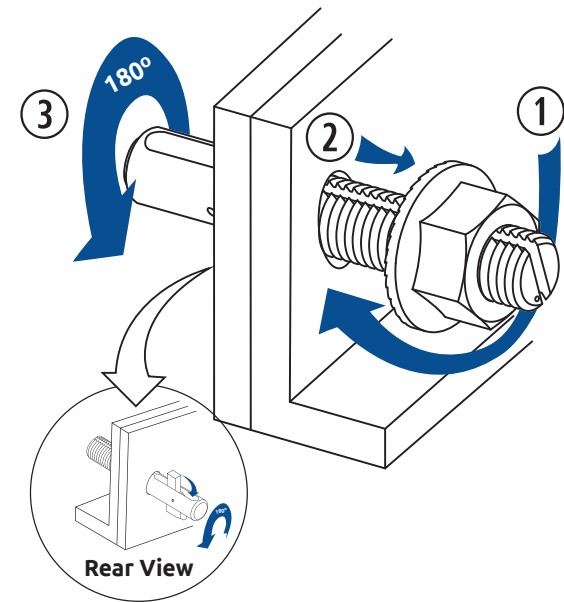


IMPORTANT! Overspray or other contamination on the “blind” side of the joint should be avoided, as this may prevent the application of the recommended tightening torque

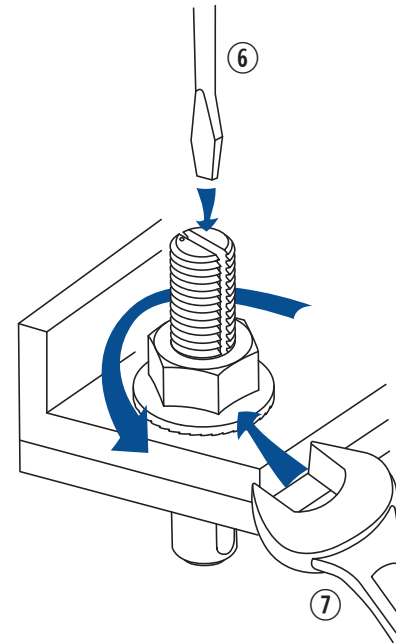
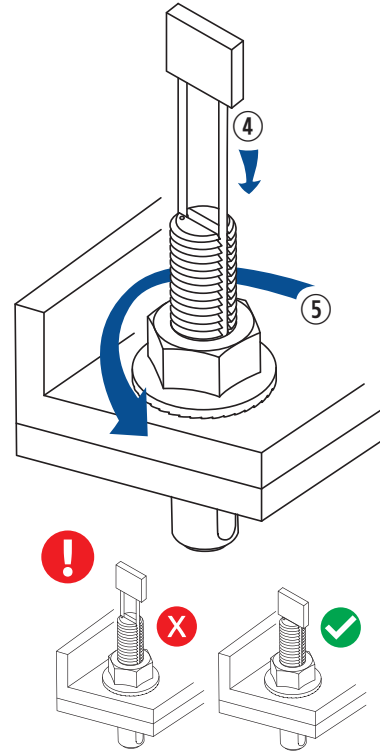
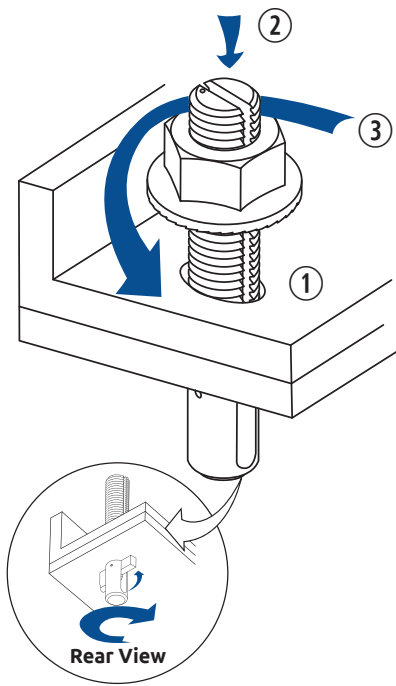
- Using the table opposite drill a fixing hole in both components to the correct diameter
- Attach the supplied nut flush with bolt end and insert the Blind Bolt into the fixing hole noting the position of the indicator mark on the head of the bolt, (See indicator mark diagram for reference.)
- Rotate the Blind Bolt through 180°. This action will release the locking anchor, (see rear view illustration.)
- Using a suitable screwdriver, brace the bolt to prevent the body from rotating.
- Tighten the supplied nut using an appropriate spanner making reference to the correct tightening torques in the table opposite.

Removal



- To remove a Blind Bolt release the fixing nut but DO NOT remove it.
- Push the Blind Bolt further into the fixing hole and rotate the entire bolt 180°. (See indicator mark diagram for reference.)
- Remove the Blind Bolt once anchor has been stowed.

Diameter & Torque Reference	Bolt Size	Hole Diameter		Hot Dip Galvanised Recommended Tightening Torque		A4-70 STAINLESS STEEL Recommended Tightening Torque	
		(mm)	(mm) (inch)	(Nm)	(lbf)	(Nm)	(lbf)
	M8	9	11/32	15	11	15	11
	M10	11	7/16	24	18	22	16
	M12	13	1/2	30	22	28	20
	M14	15	9/16	34	28	-	-
	M16	17	11/16	50	36	45	33
	M20	22	13/16	65	48	-	-
	M24	26	1	75	55	-	-
	M30	32	1 1/4	85	63	-	-

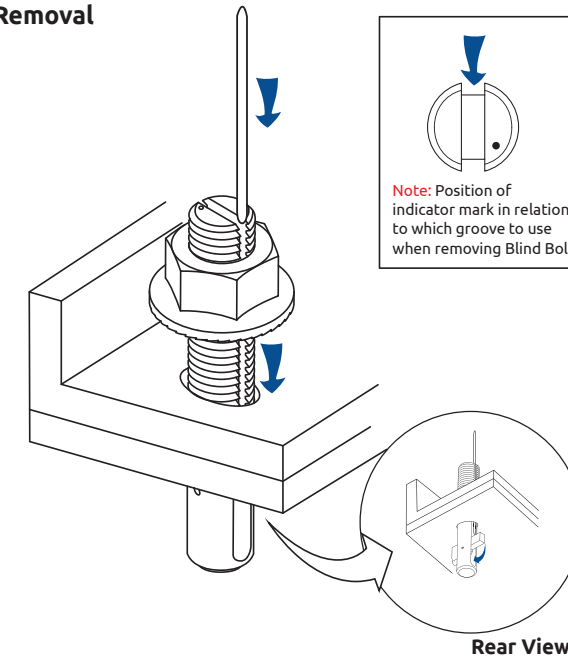


NOTE: vertical up installation is not recommended

IMPORTANT! Overspray or other contamination on the "blind" side of the joint should be avoided, as this may prevent the application of the recommended tightening torque

- Using the table opposite, drill a fixing hole in both components to the correct diameter.
- Loosely fit the Blind Bolt's nut and fully insert the Blind Bolt into the fitting hole.
- To deploy the Blind Bolt's anchor spin the Blind Bolt rapidly by hand and allow to drop.
(Anchors on M14 and above Blind Bolts can also be activated using the provided wire tool, see removal steps opposite)
- For M14 Blind Bolts and above, using the Installation Gauge supplied, insert both legs into the Blind Bolts lateral grooves fully to ensure the anchor has correctly deployed. **(NOTE: The head of the Installation Gauge should sit flush on the head of the Blind Bolt if deployment was successful. If a gap is present repeat step 1 and re-test.)**
- Loosely tighten the Blind Bolt's nut to finger tight.
- Using a suitable screwdriver, brace the bolt to prevent the body from rotating.
- Tighten the supplied nut using an appropriate spanner making reference to the correct tightening torques in the table opposite.

Removal



- To remove a Blind Bolt release the fixing nut but DO NOT remove it. Push the Blind Bolt further into the fixing hole, insert the wire tool into the groove shown in step 3a. This will retract the anchor back into the body of the Blind Bolt allowing it to be removed from the fixing hole.

Diameter & Torque Reference	Bolt Size	Hole Diameter		Hot Dip Galvanised Recommended Tightening Torque		A4-70 STAINLESS STEEL Recommended Tightening Torque	
	(mm)	(mm)	(inch)	(Nm)	(lbf)	(Nm)	(lbf)
M8	9	11/32	15	11	15	11	
M10	11	7/16	24	18	22	16	
M12	13	1/2	30	22	28	20	
M14	15	9/16	34	28	-	-	
M16	17	11/16	50	36	45	33	
M20	22	13/16	65	48	-	-	
M24	26	1	75	55	-	-	
M30	32	1 1/4	85	63	-	-	