

Hollow Wall Anchor Installation Guide



This guide will give you detailed instructions (with illustrations) on how to install Hollow Wall Anchors properly. There is also information on the wall board thickness, and drill size for different size anchors.

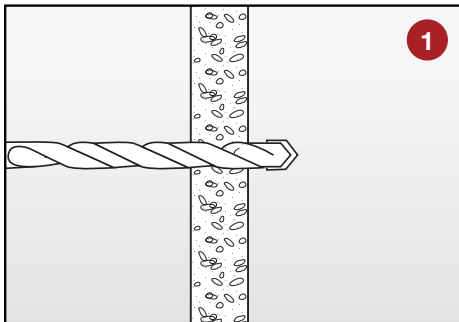
Common Applications

- Coat Hooks
- Wall Mounts
- Curtain Poles
- Kitchen cupboards
- Wall Shelves

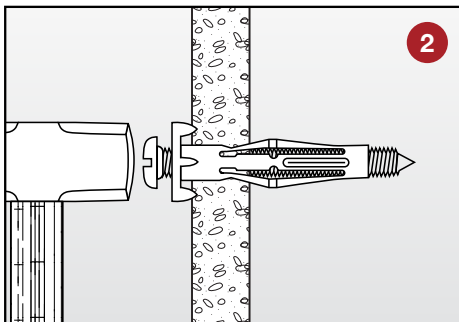
Information Table

Milsons Code	Diameter	Wall Board Thickness	Drill Size	Thread Size
HWA1/8WT1624	1/8	16mm - 24mm	8mm	4mm
HWA1/8WT316	1/8	13mm - 16mm	8mm	4mm
HWA3/16WT1016	3/16	10mm - 16mm	10mm	5mm

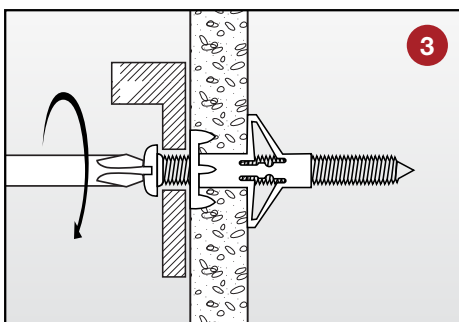
Installation Instructions



1. Use the above table to select the right size anchor for your wall board. Then drill the hole into your wall boards using the recommended drill bit size noted above.



2. Insert your wall anchor and tap home with a mallet or hammer. Ensure the teeth dig into the wall board.



3. Press firmly on the screw with a screw driver, and turn screw clockwise until the barrel crimps are pressed firmly against the inside of the wallboard.

i The data provided in this document is for general guidance only and should not be solely relied upon when working to stringent specifications. We recommend consulting with qualified experts regarding any technical queries. This information may change without written notice.